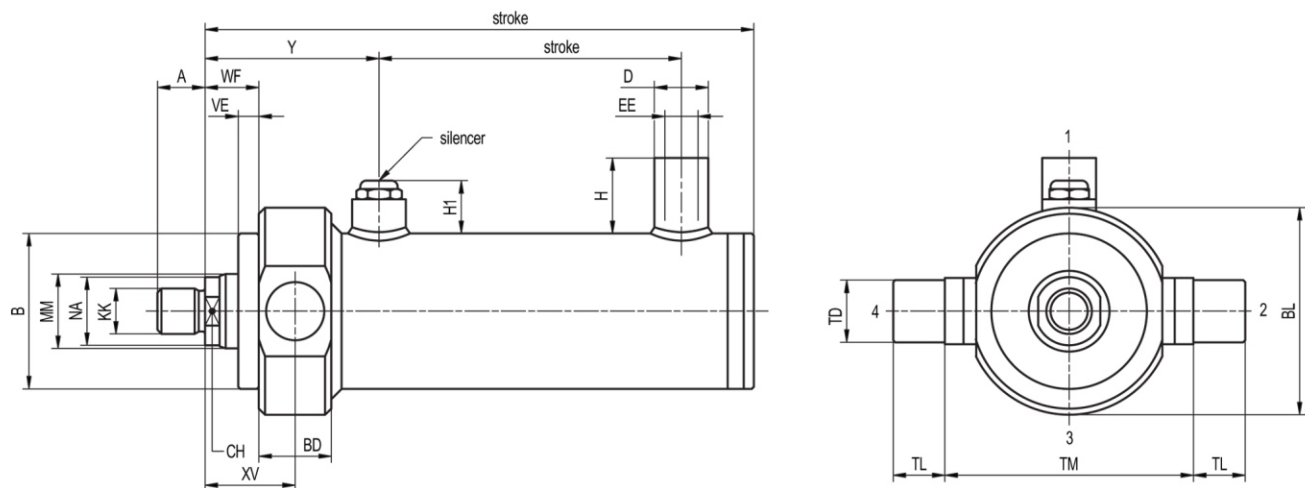


ME18 MD

single acting hydraulic cylinders with piston



All dimensions are in millimetres.

Piston Ø	MM Ø	A	B Ø	CH	D Ø	EE	KK	NA Ø	WF	VE	Y	PJ	ZJ	H1	H*
40	22/28	16	50	17	26	G 3/8	M 16×1,5	20	25	10	69	42	137	23	42
50	28/36	16	60	22	26	G 3/8	M 16×1,5	25	25	10	75	45	150	23	42
63	36/45	23	75	30	26	G 3/8	M 22×1,5	34	26	10	87	48	165	23	42
80	50	35	90	36	26	G 3/8	M 35×1,5	40	27	10	77	56	163	23	42
100	50/70	45	115	46	30	G 1/2	M 45×1,5	48/50	27	10	77	60	167	23	48
125	63/70	58	145	60	30	G 1/2	M 58×1,5	62/65	32	10	77	65	172	23	48
160	80	65	180	65	38	G 3/4	M 65×1,5	75	40	12	122	70	233	23	57

Block valve can be mounted into the attachment.

Piston Ø	XV	BD	TD Ø f8	TM	TL	BL
40	37,5	25	20	90	90	70
50	40	30	25	105	105	80
63	43,5	35	30	120	120	100
80	49,5	45	40	135	135	125
100	54,5	55	50	160	160	150
125	64,5	65	60	195	195	180
160	82,5	85	80	240	240	235

